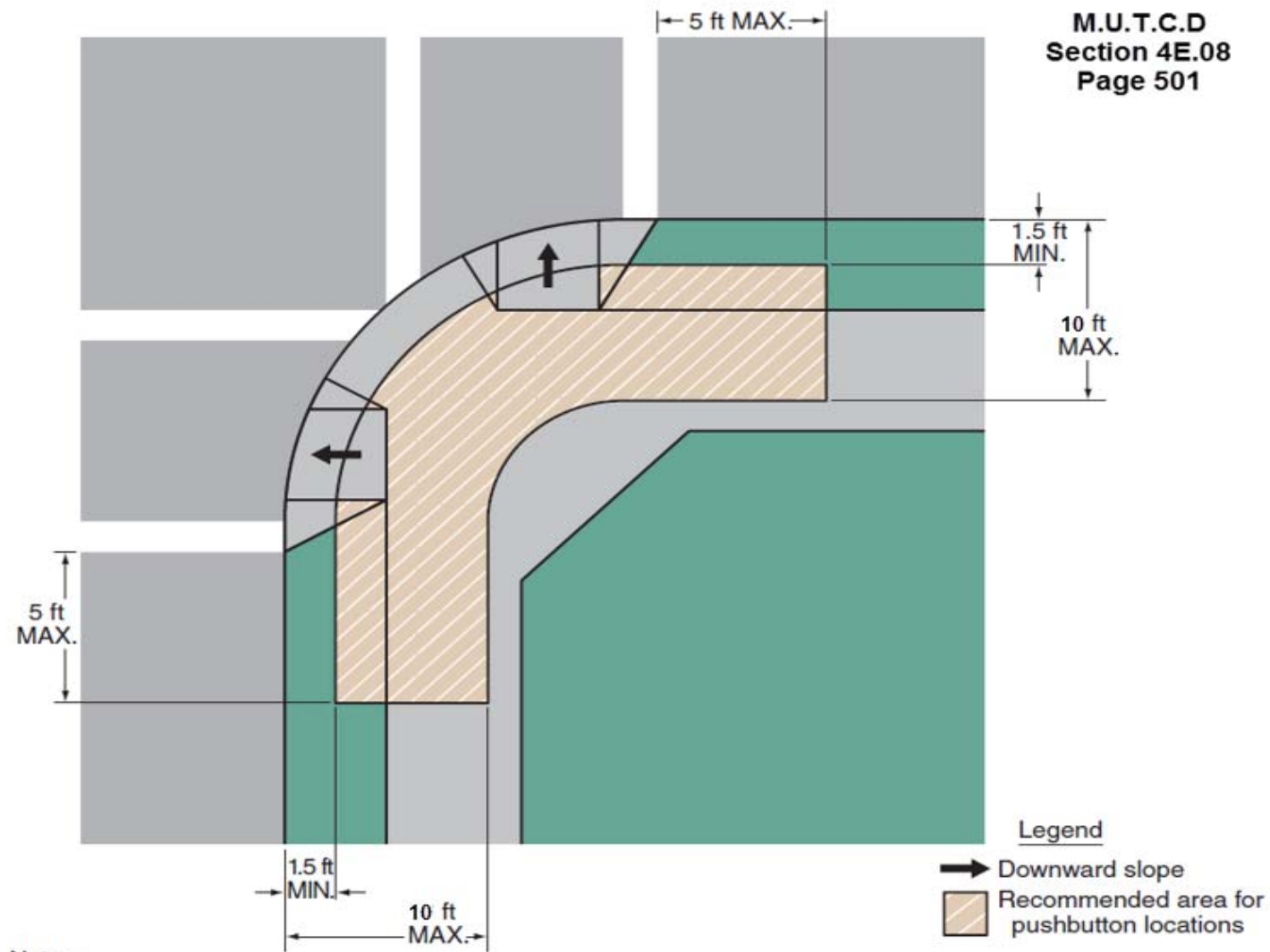
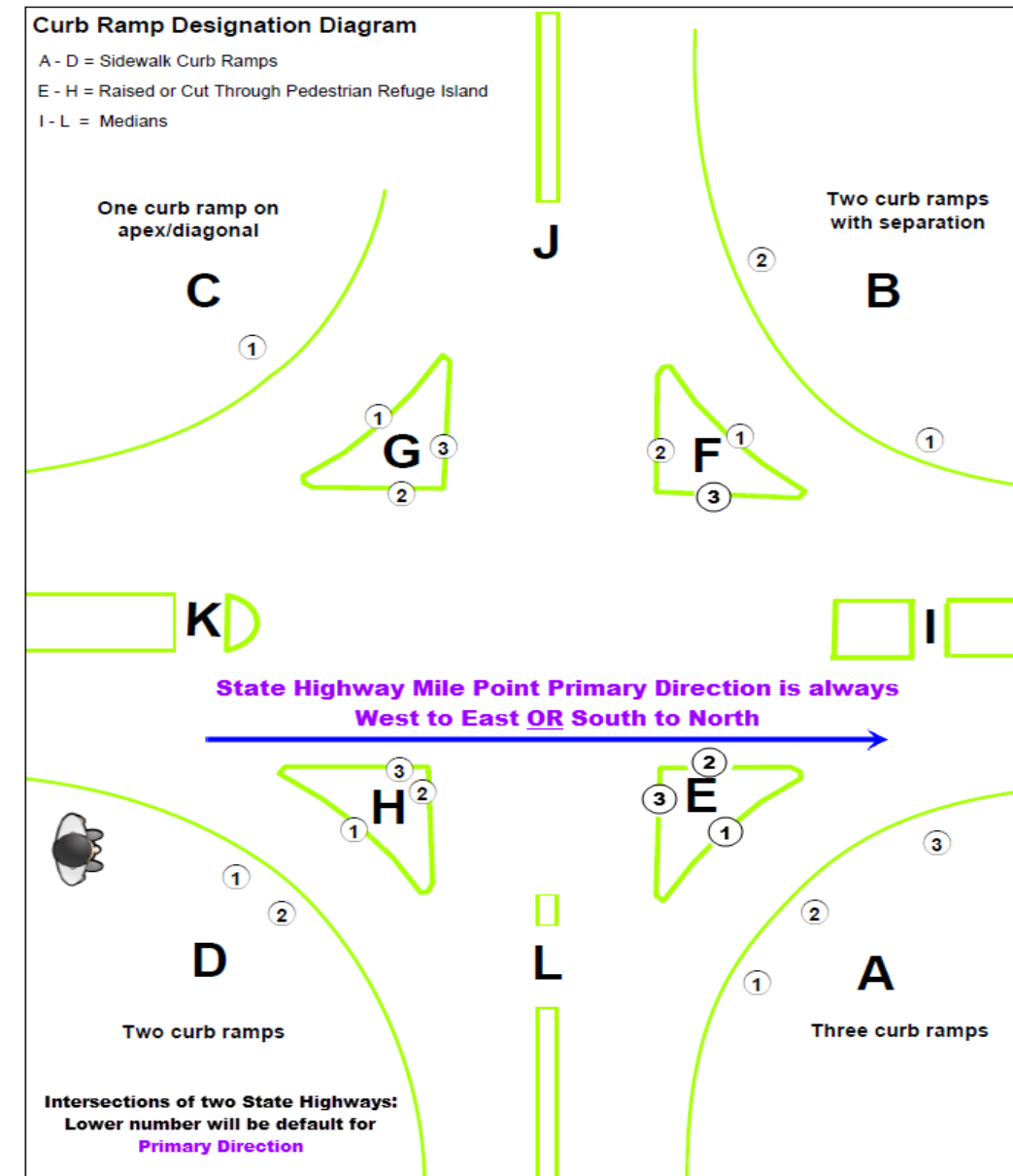


Project #:	Primary Street:	Secondary Street/Highway:																										
Inspected by (print):	Title:	Date collected:																										
		Signature of Inspector:																										
Review diagrams below prior to answering questions	Pushbutton(s) are designated to the curb ramp they serve. * See the Curb Ramp Designation Diagram below *																				Median							
	A			B			C			D			E			F			G			H			I	J	K	L
	1	2	3	1	2	3	1	2	3	1	2	3	1	2	3	1	2	3	1	2	3	1	2	3				
Where do the pushbuttons exist on this corner/median/island? Place an "X" in the box of the associated curb ramp the pushbutton serves. If the pushbuttons are on the same pole place "XX" for the associated curb ramp																												
PPB Types: AUB = Audible at Button, AUS = Audible at Signal, CF = closed fist, OS = Old Style (finger push), TA = Tactile, VI = Vibrates, LT = Locator Tone. A pushbutton can be a multiple of the above options (i.e., "CF, TA, VI, LT") and two buttons on the same pole shall have a SEMICOLON between them (CF, LT; CF, LT)																												
Is the distance between two pushbuttons on corner/island equal to or greater than 10 feet? "Yes/No" or "NA" when only one PPB exists																												
If PPB is Audible at the Button "AUB" does it comply with the 10 foot rule? "YES/No" or "NA" when only one PPB exists "WWW" = "wait" with "walk sign is on" voice at walk phase (PPB's are less than 10 feet apart) OR "WWT" = "wait" with percussive rapid tone during the walk phase (PPB's are equal to or greater than 10 feet apart) MUTCD 4E.11.07																												
Is the PPB side reach distance 10 inches or less? "Yes/No"																												
Is the PPB height 42 inches to 48 inches high (3.5 to 4 feet)? "Yes/No" in associated curb ramp column																												
Is there an accessible route from the curb ramp to the PPB? "Yes/No" in associated curb ramp column whether 1 PPB or 2 PPB's on same pole																												
Is the PPB 1.5 feet to a maximum of 10 feet from the edge of the curb, shoulder, or pavement? "Yes/No" in associated curb ramp column (see Figure 4E-3 attached)																												
Is the PPB less than 5 feet from the edge of the crosswalk or curb ramp (exclusive of the flare)? See Figure 4E-3 on page 2																												
Is the PPB adjacent to a <u>48 inch by 48 inch</u> level turning space of the curb ramp OR adjacent to a <u>30 inch by 48 inch</u> clear space that is part of the pedestrian access route? "Yes/No"																												
Does the turning space or clear space have a 2% or less cross slope towards the street? "Yes/No"																												
Comments																												
Information below to be filled out by Civil Rights & Business Center staff only																												
RECEIVED by (print name) and Date:														Date uploaded into database:							Signature:							

Figure 4E-3. Pushbutton Location Area



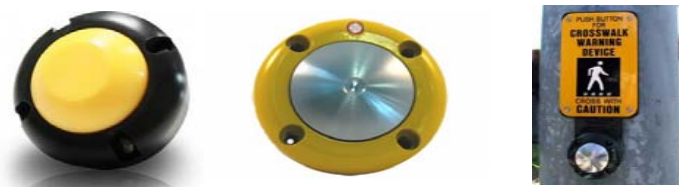
- Notes:
1. Where there are constraints that make it impractical to place the pedestrian pushbutton between 1.5 feet and 6 feet from the edge of the curb, shoulder, or pavement, it should not be further than 10 feet from the edge of curb, shoulder, or pavement.
 2. Two pedestrian pushbuttons on a corner should be separated by 10 feet.
 3. This figure is not drawn to scale.



Examples of types of Pedestrian Pushbuttons (PPB):

Notes: One PPB can have multiple attributes; Locator Tones should be heard from 6 to 12 feet away; "VI" means that the PPB vibrates during the walk phase; two PPB's on one pole shall be separated by a semicolon.

"CF" = Closed Fist (ability to activate with a closed fist):



Two closed fist PPB's on one pole = "cf; cf "



"OS" = Old Style (finger push) Not ADA compliant:

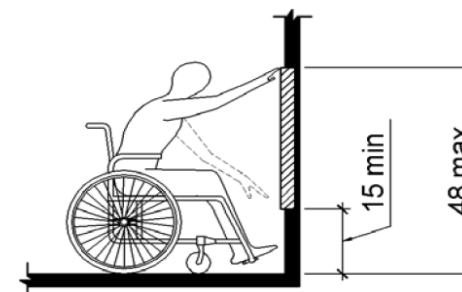
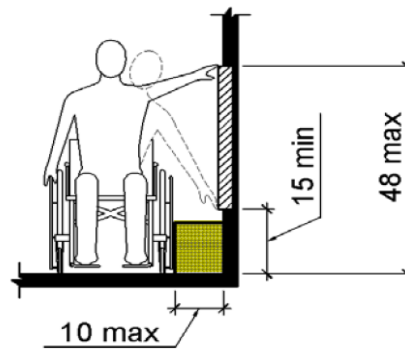


Two Old Style PPB's on one pole = "os; os "



"TA" = Tactile Arrow

Note: The following PPB's are also closed fist "CF" actuated



Note: Forward reach over an obstruction is not permitted